



\$795

Model Shown

**TQ201 Series
Reaction Torque**

**0-25 oz-in to 0-1,000 in-lb
0-0.18 to 0-110 N-m**

1 N-m = 0.7375 ft-lb
1 ft-lb = 1.356 N-m
1 N-m = 8.85 in-lb
1 ft-lb = 12 in-lb

- ☑ All Stainless Steel Case for Long Term Reliability in Industrial Environments
- ☑ High Accuracy
- ☑ Shielded Cable for Precise Low Noise Measurements
- ☑ Heavy Duty Mounting for Positive, Non-Slip Connection

OMEGADYNE's TQ200 Series Torque Sensors are in-line mount reaction torque sensors. The TQ201 is designed to be mounted to the torque producing element, to measure the starting torque of motors.

SPECIFICATIONS:

Output: 2 mV/V
Excitation: 10 V ac/dc, 15 V max
Input Resistance: 350 ohms min.
Output Resistance: 350 ohms ±5
Accuracy Class: 0.2%
Linearity: ±0.10% FSO
Hysteresis: ±0.10% FSO

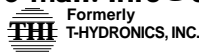
**For Sales and Service
In U.S.A. and Canada**

**1-800-872-3963SM
1-800-USA-DYNE**

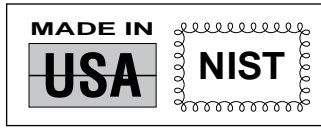
**International Customers Dial
(614) 965-9340
24-Hour FAX (614) 965-9438**

OMEGADYNESM FAX
OMEGADYNE's 24-Hour
On-Line Publishing Service
**1-800-344-3963SM
1-800-DIG-DYNE**
Document # 3720

OMEGADYNE, Inc.
149 Stelzer Court, Sunbury, OH 43074
<http://www.omegadyne.com>
e-mail: info@omegadyne.com



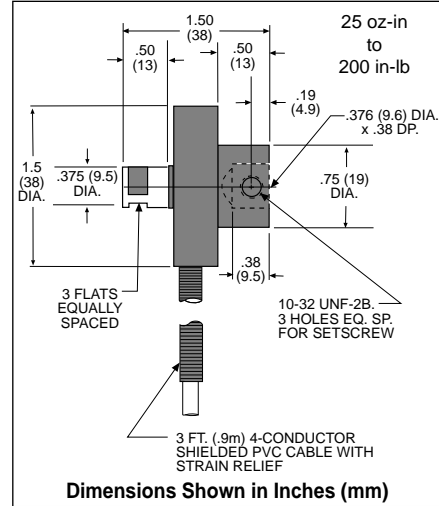
© COPYRIGHT 1996 OMEGADYNE, INC. ALL RIGHTS RESERVED.



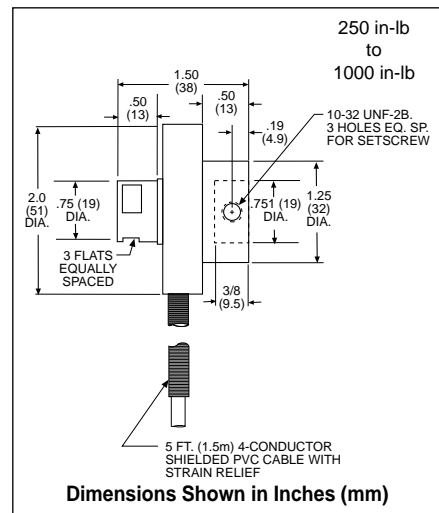
Interchangeable with
Model TH-TTM

**SPEC SHEET
TQ201**

**REACTION TORQUE CELL
Non-Rotating Shaft Mount
Low Torque Range**



Repeatability: ±0.03% FSO
Zero Balance: ±2% FSO
Operating Temp Range: -54 to +107°C (-65 to +225°F)
Compensated Temp. Range: +16 to +71°C (+60 to +160°F)
Thermal Effects:
Zero: 0.005% FSO/°F
Span: 0.005% Rdg/°F
Safe Overload: 150% of Capacity
Ultimate Overload: 300% of Capacity
Construction: Stainless Steel
Electrical:
TQ202: 5 ft (1.5m) 4-conductor shielded PVC cable with Strain Relief
TQ201: 3 ft (.9m) 4-conductor shielded PVC cable with Strain Relief



► Most Popular Models Highlighted ◀

Prices Shown in U.S. Dollars

To Order: (Specify Model Number)			
Range	Model Number	Price	Compatible Meters
0-25 oz-in	TQ201-25Z	\$895	INFS, INFCS
0-30 oz-in	TQ201-30Z	895	INFS, INFCS
0-100 oz-in	TQ201-100Z	795	INFS, INFCS
0-120 oz-in	TQ201-120Z	795	INFS, INFCS
0-150 oz-in	TQ201-150Z	795	INFS, INFCS
0-200 oz-in	TQ201-200Z	795	INFS, INFCS
0-25 in-lb	TQ201-25	795	INFS, INFCS
0-50 in-lb	TQ201-50	795	INFS, INFCS
0-100 in-lb	TQ201-100	795	INFS, INFCS
0-250 in-lb	TQ201-250	795	INFS, INFCS
0-500 in-lb	TQ201-500	795	INFS, INFCS
0-1,000 in-lb	TQ201-1K	795	INFS, INFCS

Interchangeable with Model TH-TTM

Metric Ranges Available - Consult Engineering

**Ordering Examples: 1.) TQ201-25 is a 25 in-lb range reaction torque sensor, \$895.
2.) TQ201-1K is a 1000 in-lb range reaction torque sensor, \$795.**

Printed On Recycled Paper

